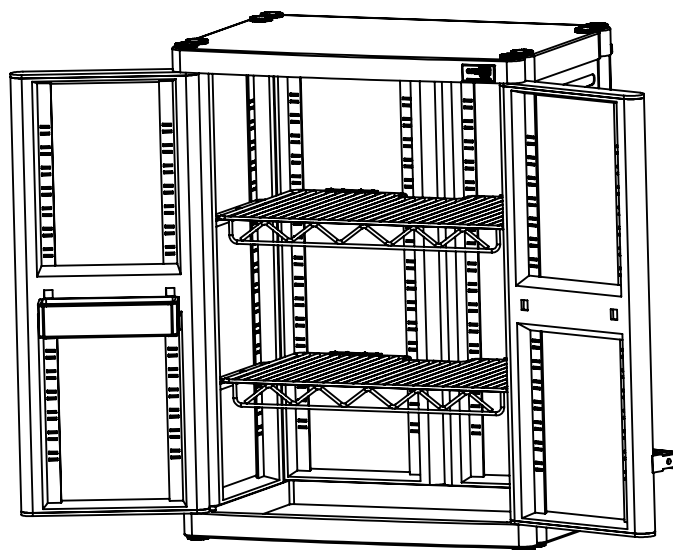
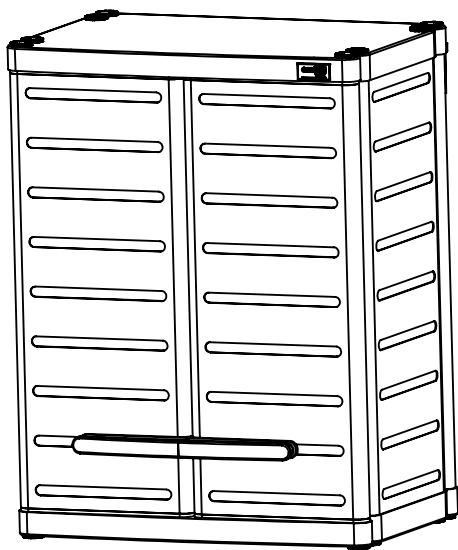




516-621-4300 WWW.GARAGETEK.COM

INSTALLATION / OWNER'S MANUAL GT1005A WALL CABINET



SHOWN WITH OPENED DOORS

GT1005A, WALL CABINET PRODUCT INFORMATION

RATINGS:

MAXIMUM WEIGHT CAPACITY: 100LBS, PER SHELF

MAXIMUM WEIGHT CAPACITY: 20LBS, CABINET BOTTOM

CAUTION: NOT INTENDED FOR STORAGE OF FLAMMABLE OR CAUSTIC CHEMICALS.

WARRANTY

GarageTek, INC. WARRANTS TO THE ORIGINAL PURCHASER ONLY THAT THE ENCLOSED PRODUCT IS FREE FROM MATERIAL AND WORKMANSHIP DEFECTS UNDER NORMAL, HOUSEHOLD USE FOR TEN (10) YEARS FROM DATE OF PURCHASE. DEFECTIVE PRODUCT OR PARTS WILL BE REPAIRED OR REPLACED AT THE OPTION OF GarageTek WITHOUT CHARGE TO THE ORIGINAL PURCHASER.

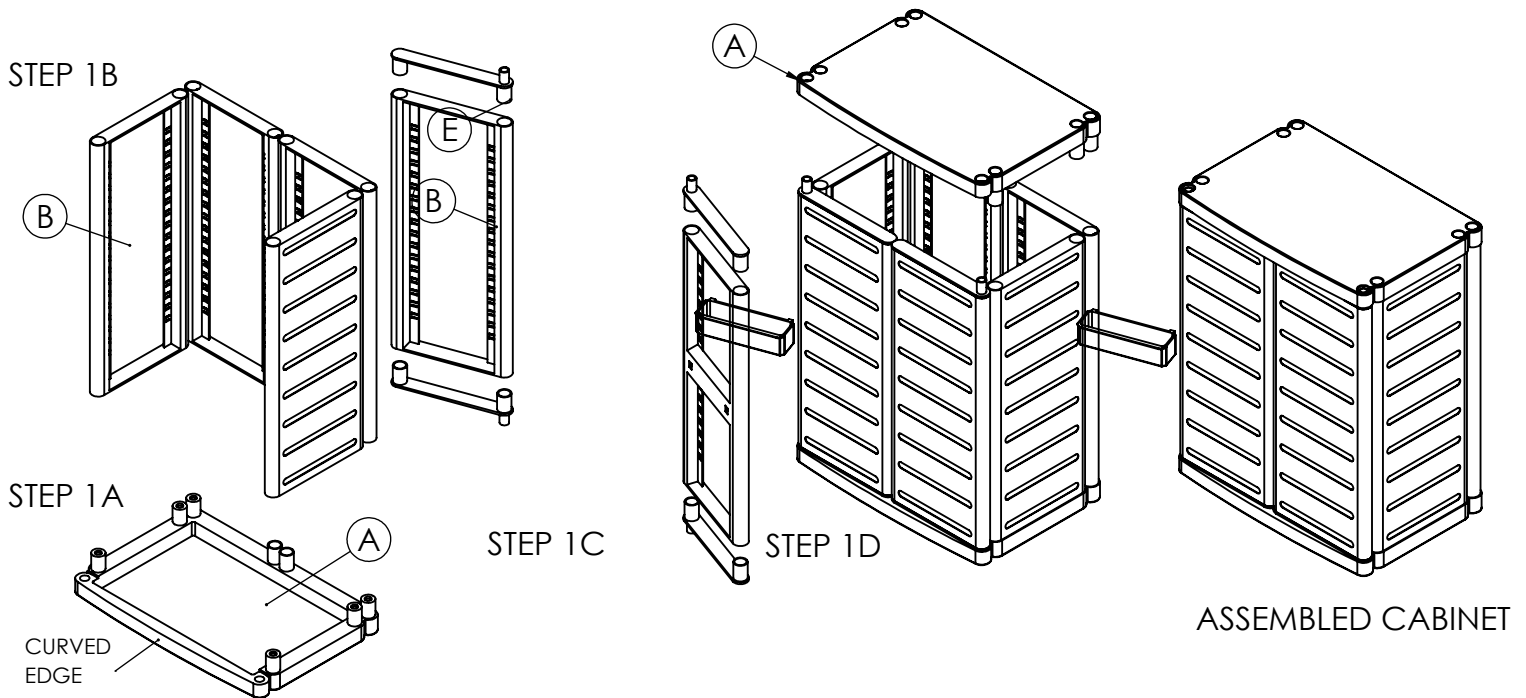
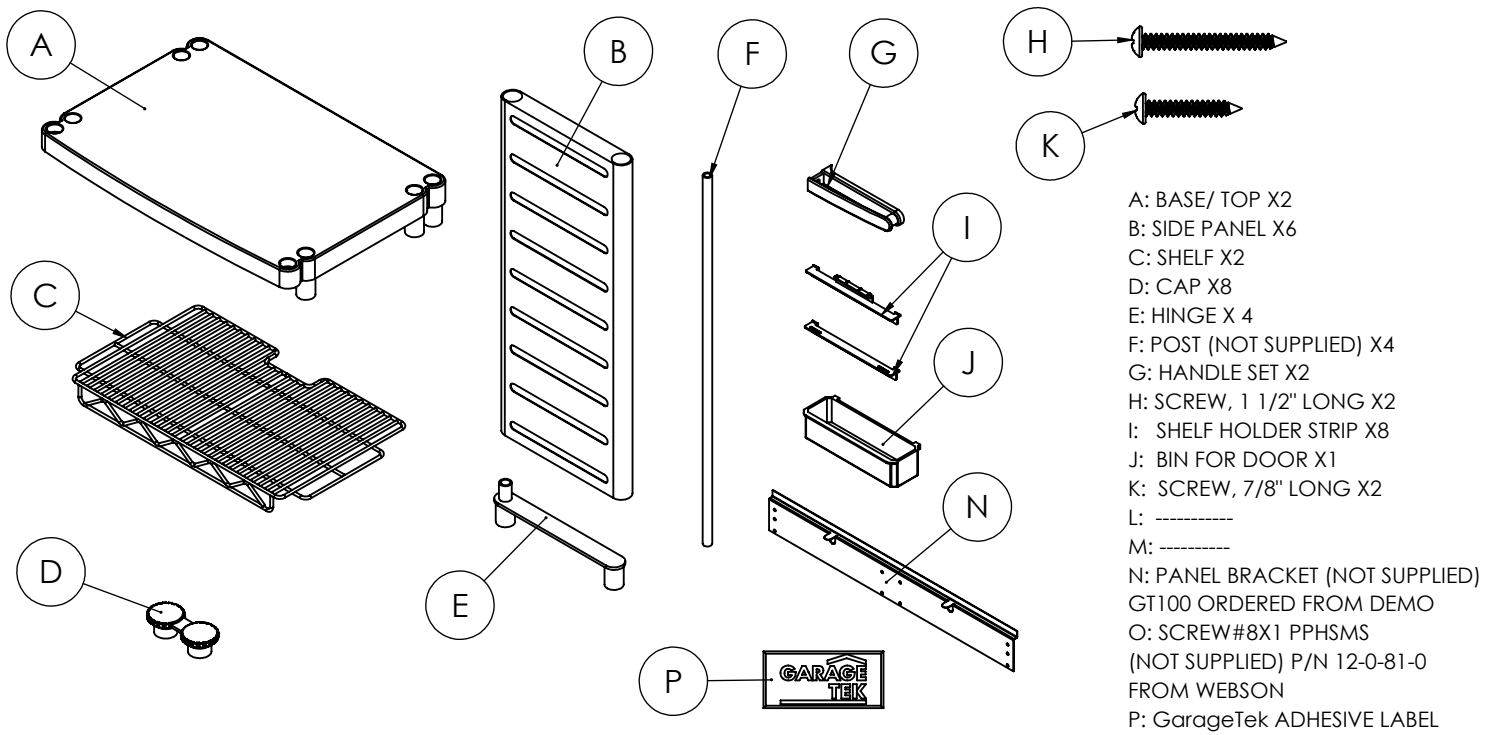
THIS LIMITED WARRANTY DOES NOT APPLY TO DAMAGE RESULTING FROM ACCIDENT, NEGLIGENCE, MISUSE, COMMERCIAL USE, ALTERATION NOT IN ACCORDANCE WITH THESE INSTRUCTIONS OR REPAIRS MADE OR ATTEMPTED BY UNAUTHORIZED PERSONS.

THIS MANUFACTURER'S LIABILITY HEREUNDER IS LIMITED SOLELY TO THE REPAIR AND REPLACEMENT OF THE DEFECTIVE PRODUCT OR PART AND THE MANUFACTURER SHALL IN NO EVENT BE LIABLE FOR ANY INCIDENT OR CONSEQUENTIAL DAMAGES WHICH MAY RESULT FROM ANY DEFECT IN MATERIAL OR WORKMANSHIP OR FROM THE BREACH OF EXPRESS OR IMPLIED WARRANTY.

SOME STATES DO NOT ALLOW THE EXCLUSION OR LIMITATION OF CONSEQUENTIAL DAMAGES, OR LIMITATION OF HOW LONG AN IMPLIED WARRANTY LASTS, SO THE ABOVE INFORMATION MAY NOT APPLY TO YOU. THIS WARRANTY GIVES YOU SPECIFIC LEGAL RIGHTS, AND YOU MAY HAVE OTHER RIGHTS WHICH MAY VARY FROM STATE TO STATE.

INSTALLED BY: _____ PHONE _____

PACKAGE CONTENT

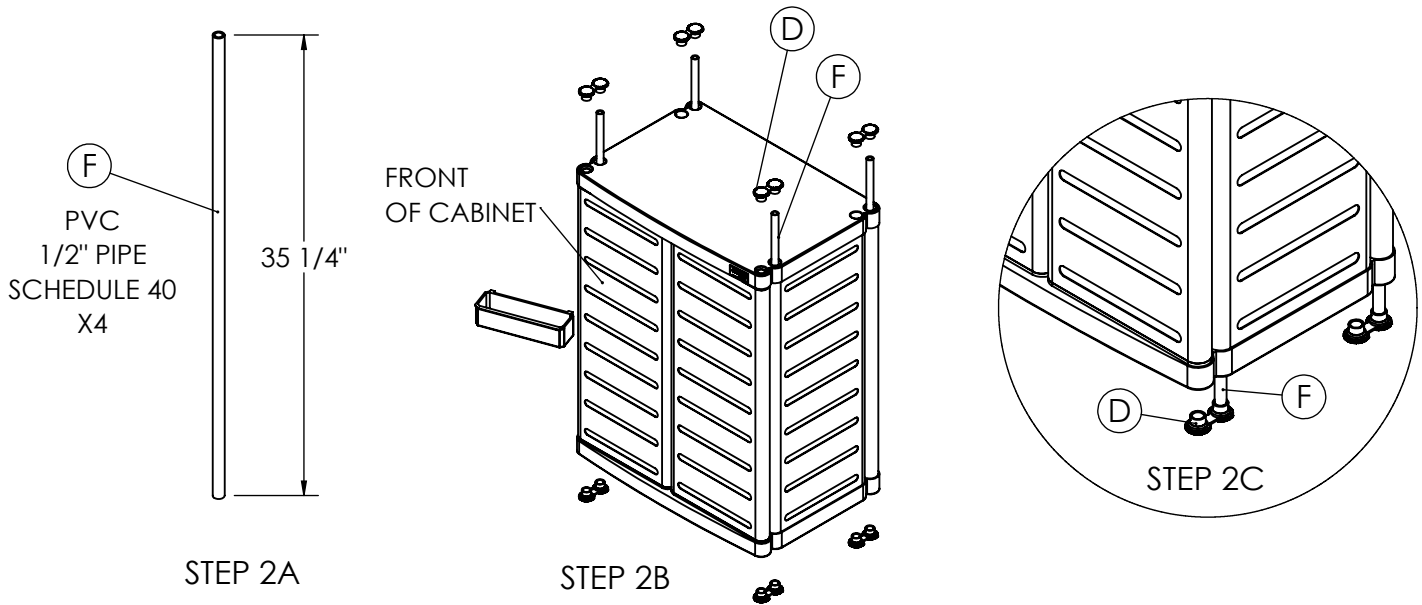


STEP 1: ASSEMBLE PANELS TO BASE/TOP

- A. ORIENTATE BASE/TOP (A) WITH SHORT POSTS FACING UPWARD AND THE SIDE HAVING THE CURVED EDGE FACING FRONT.
- B. PRESS PANEL (B), QTY 4, ONTO THE BASE. THE SMOOTH SRFACE OF THESE PANELS FACE OUTWARD.
- C. ASSEMBLE THE HINGES (E), QTY 4, ONTO THE REMAINING PANELS QTY 2, AS SHOWN.
- D. ASSEMBLE THESE (2) HINGED DOORS TO THE BASE. PRESS/ SNAP THE BASE/TOP (A) ONTO THE PANELS TOPS. REMEMBER TO ORIENTATE THE TOP AS THE BASE ORIENTATED IN STEP 1A.

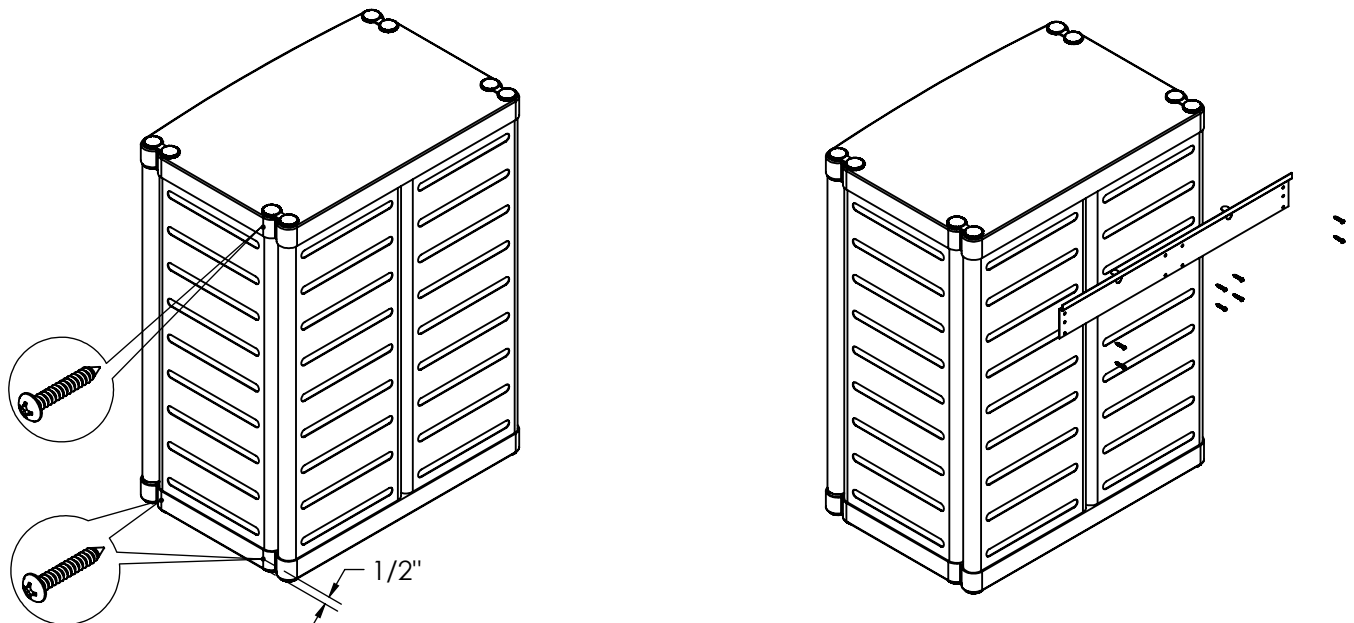
STEP 2 AND 3

ARE CRITICAL TO HAVING THE CABINET HANG ON THE TEKPanel WALL WITH HEAVY LOADS.



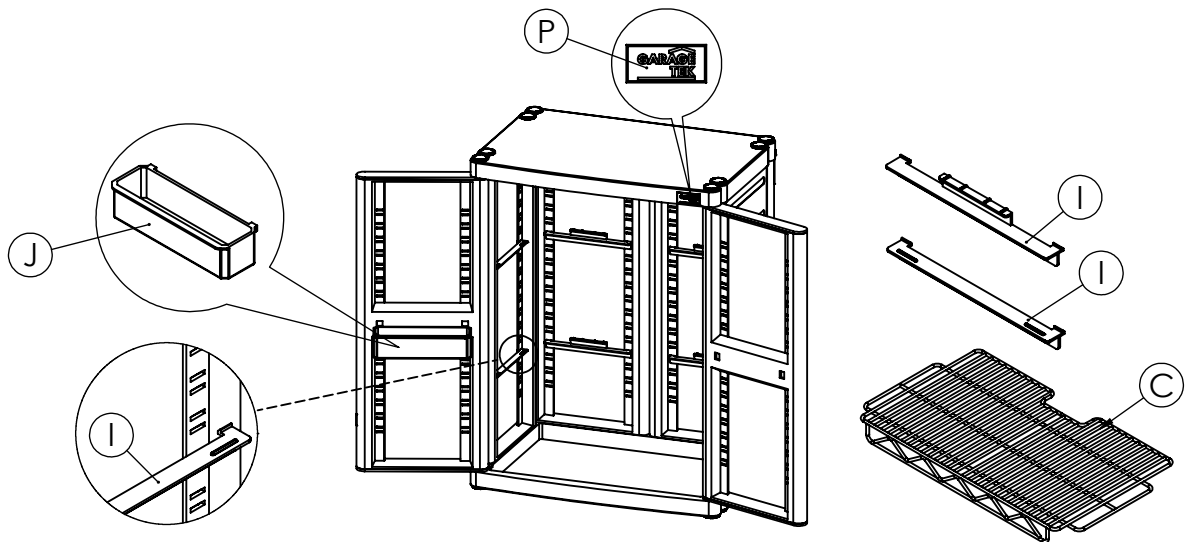
2. ASSEMBLE POSTS:

- A. LOCALLY PURCHASED 10FT LENGTHS OF PVC 1/2" PIPE, SCHEDULE 40. CUT INTO LENGTHS OF 35 1/4" TO MAKE THE POST (F). X4
- B. THE POSTS (F) TO BE INSTALLED IN THE FOUR LOCATIONS SHOWN.
- C. SLIDE EACH POST FROM THE TOP HOLES THROUGH THE CABINET PAST THE BOTTOM HOLES. LOCATE THE POST INSIDE THE HOLE OF EACH BOTTOM CAP (D) AND PUSH THE CAP (D) UP INTO THE BOTTOM HOLE OF THE CABINET. AT THE TOP, LOCATE EACH POST TO THE INSIDE THE HOLE OF EACH TOP CAP (D) AND PUSH THE CAP (D) INTO THE TOP CABINET HOLE.



3. SECURE POSTS AND INSTALL BRACKET

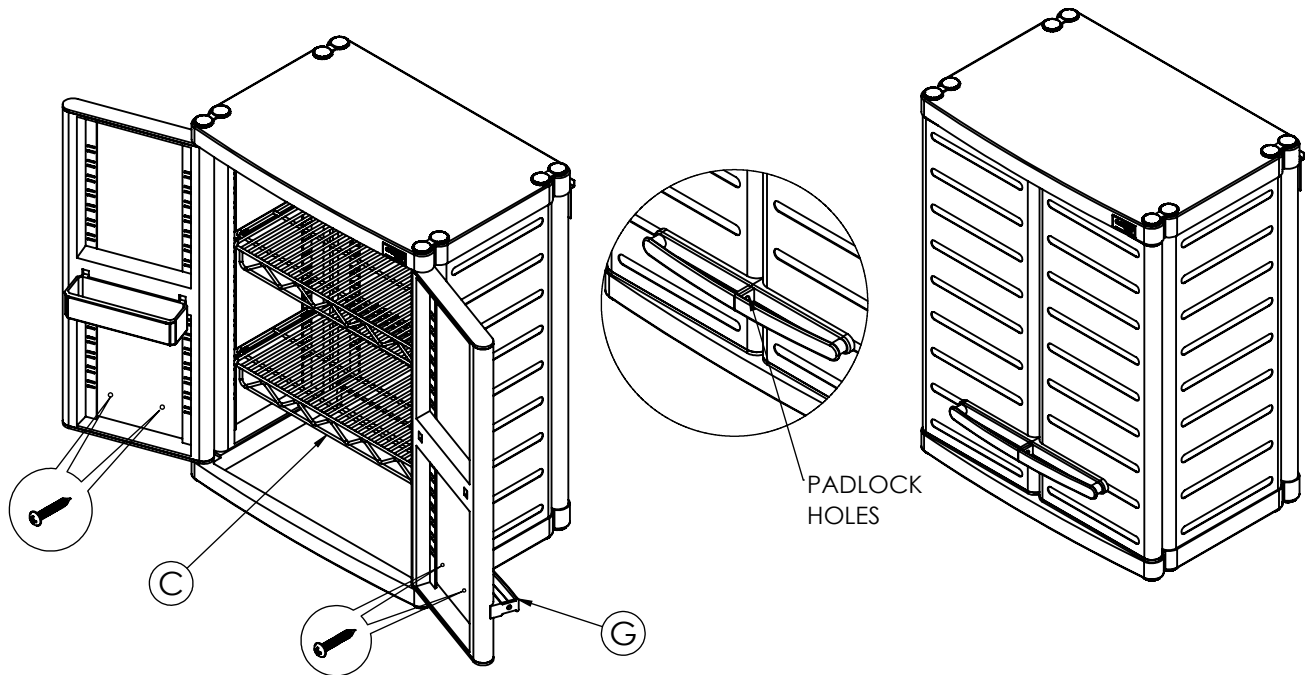
- A. WITH THE CABINET ON A SOLID SURFACE, PRESS DOWN ON THE CABINET TOP AND DRIVE SCREW (O) X6 INTO THE POSITIONS SHOWN. (PRESSING DOWN ON THE CABINET TOP TAKES OUT THE CLEARANCE FROM "LOOSE" ASSEMBLY FITS AND INSURES THE DOORS SHUT PROPERLY WHEN HANGING ON THE TekPanel WALL.)
- B. LOCATE THE PANEL BRACKET (N) ON THE BACK OF THE CABINET AND SECURE IN PLACE WITH X8 TekPanel SCREWS 1 5/8" LONG. THE BRACKET HAS SELF LOCATING TABS FOR THE TOP, BUT BE SURE TO CENTER HORIZONTALLY ON THE PREVIOUSLY INSTALLED POSTS (F). AGAIN, PRESS DOWN ON THE CABINET TOP TO TAKE OUT THE CLEARANCE WHEN DRIVING THE SCREWS. REPEAT OF THE OTHER SIDE.



INSTALL DOOR BIN, SHELVES AND LOGO

- A. SNAP THE DOOR BIN (J) IN THE TRACKS ON THE INSIDE OF THE DOOR.
- B. SNAP THE SHELF HOLDER STRIPS (i) X8 , INTO THE VERTICAL TACKS AROUND THE INSIDE OF THE CABINET. THERE ARE X4 STRIPS PER LOCATION. THE STRIPS WITH THE ARCHED HOOD ARE IN THE BACK OF THE CABINET AND THE FLAT TOPPED STRIPS ARE ON THE SIDES.
- C. PLACE THE SHELVES (C) X2, ON THE STRIP HOLDER STRIPS (i).
- D. APPLY THE GT LOGO (P), X1, ON THE LOCATION SHOWN.

ADDITIONAL SHELVES (C) CAN BE PURCHASED AS P/N: GT1007.



INSTALL HANDLE SET

- A. ORIENTATE THE HANDLE SET (G) AS SHOWN WITH THE PACKLOCK HOLES IN-LINE ON EACH HANDLE AND ARE AT THE BOTTOM OF THE HANDLE SET.
- B. DO NOT USE A POWER TOOL. HAND SCREW AND SECURE THE HANDLE WITH A 1 1/2" SCREW (H) & 7/8" LONG SCREW (K) PER SIDE SIDE.
- C. ADJUST THE HANDLES TO BE IN-LINE AND LEVEL BY LOOSENING AND RETIGHTENING THE SCREWS AS NEEDED.