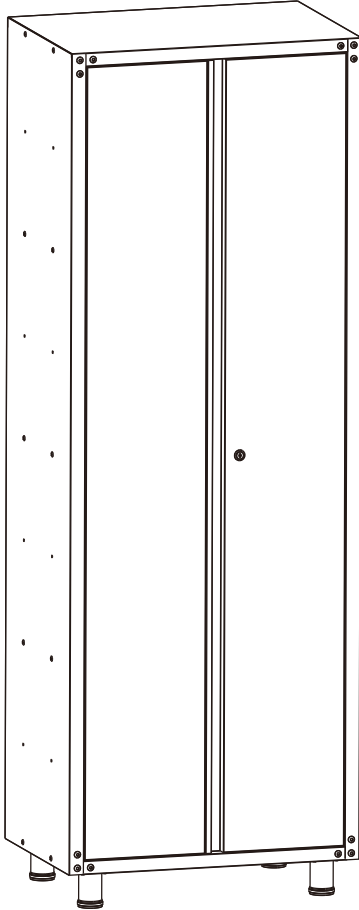


Standing Cabinet

Assembly Instructions

20SC26203



THIS INSTRUCTION BOOKLET CONTAINS IMPORTANT SAFETY INFORMATION.
PLEASE READ AND KEEP FOR FUTURE REFERENCE.

SAFETY

Your safety and the safety of others are very important.

We have provided many important safety messages in this manual and on your appliance. Always read and obey all safety messages.

CAUTION

Please take safety precautions when using the cabinet.

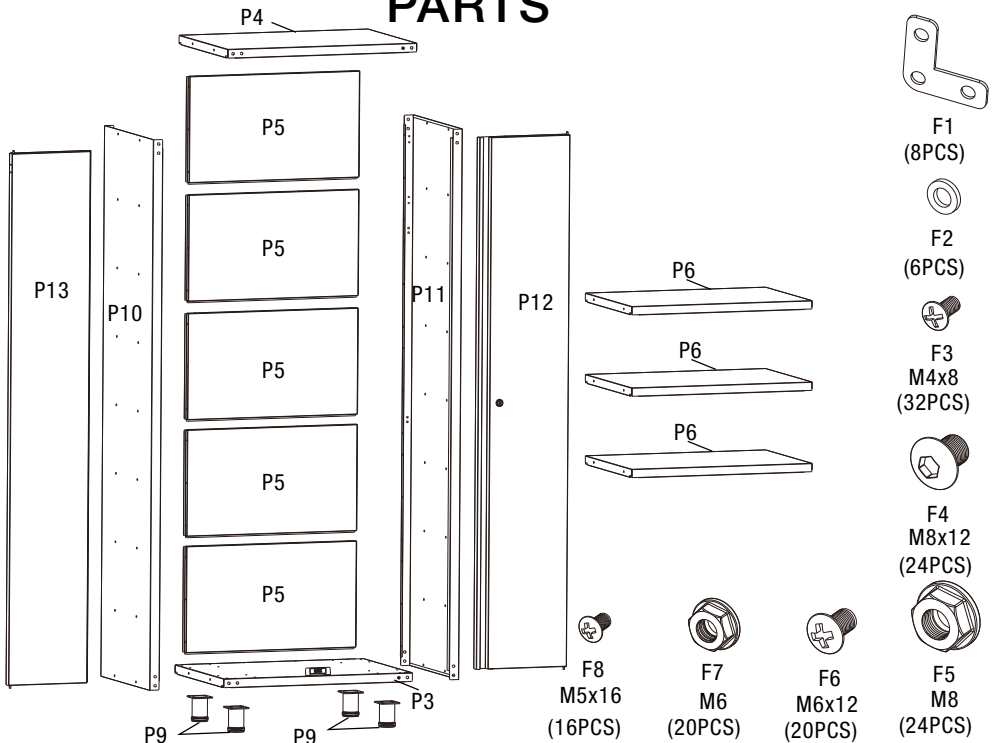
- Do not step or climb on worktop.
- Do not let children near the cabinet.
- Make sure using on horizontal floor.
- Use two or more people to move and assemble cabinet.
- Failure to do so can result in back or other injury.

All safety messages will tell you what the potential hazard is, tell you how to reduce the chance of injury, and tell you what can happen if the instructions are not followed.

CABINET CARE

1. Wash the cabinet with a mild detergent and warm water. Do not allow water to remain on the cabinet for any length of time.
2. Rinse completely and dry thoroughly.

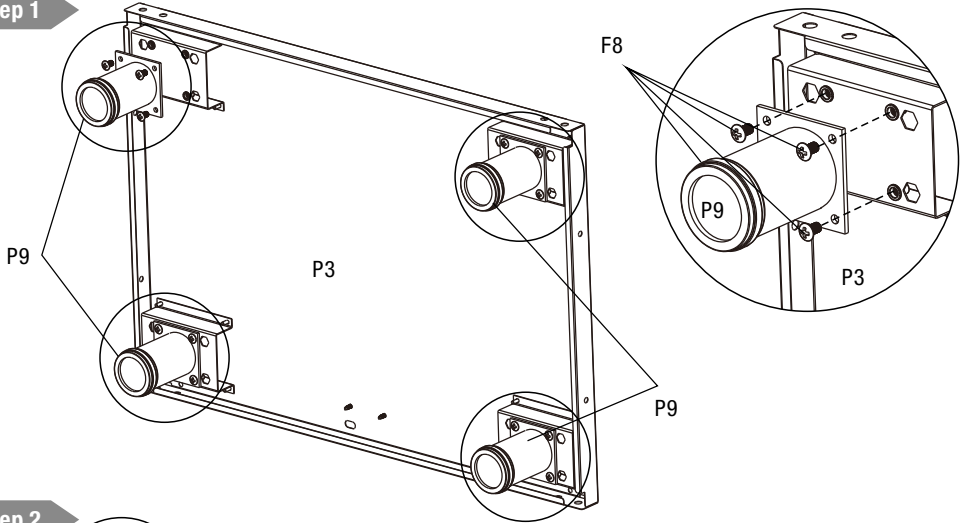
PARTS



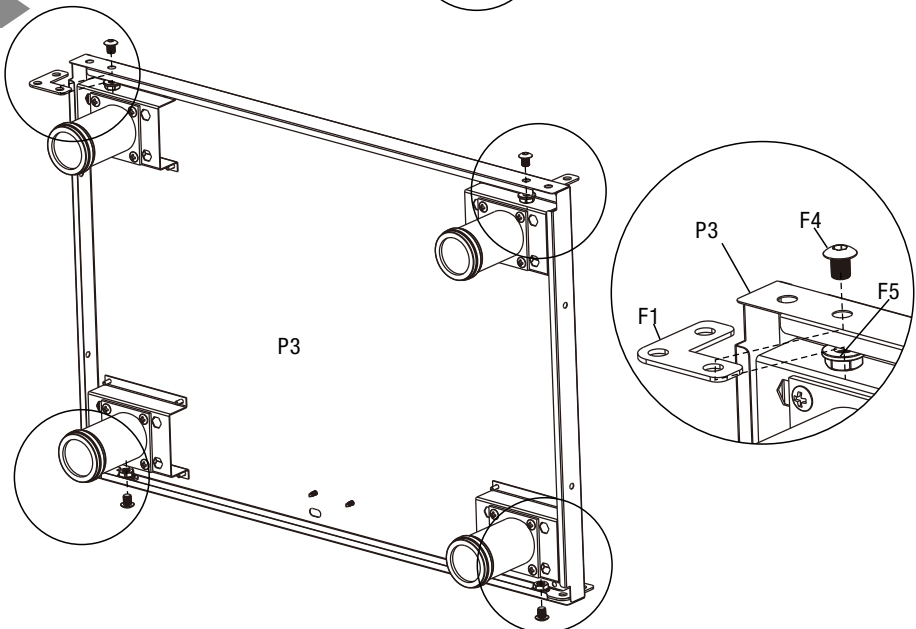
ASSEMBLY INSTRUCTIONS

- > Intended for use in a garage.
- > Maximum weight limit is 40 lbs (18 kg) for each shelf.
- > Maximum weight limit is 160 lbs (72 kg) for the cabinet.

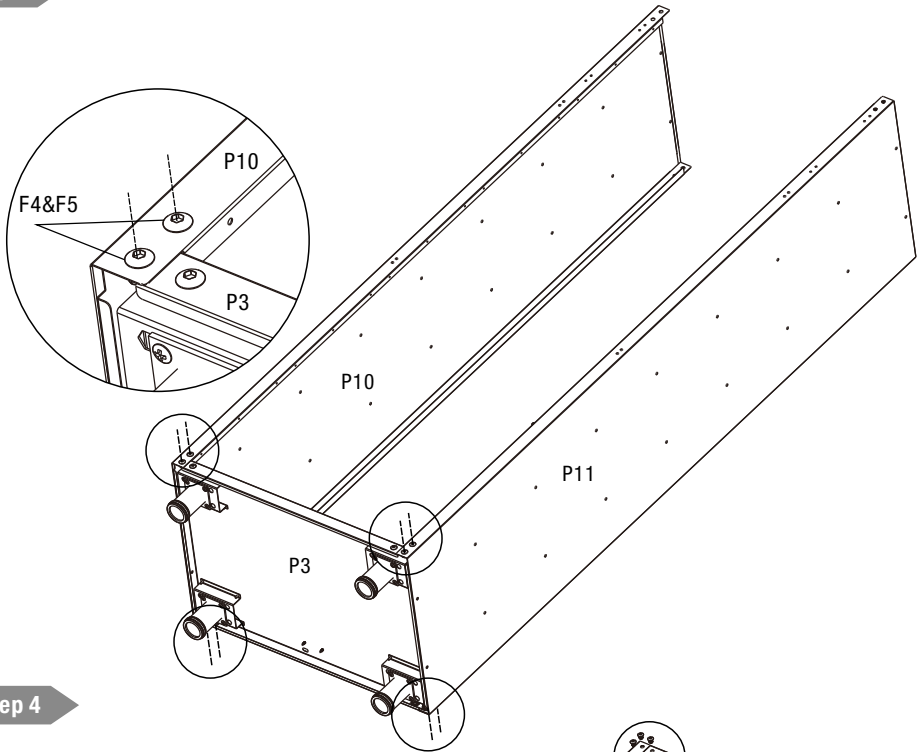
Step 1



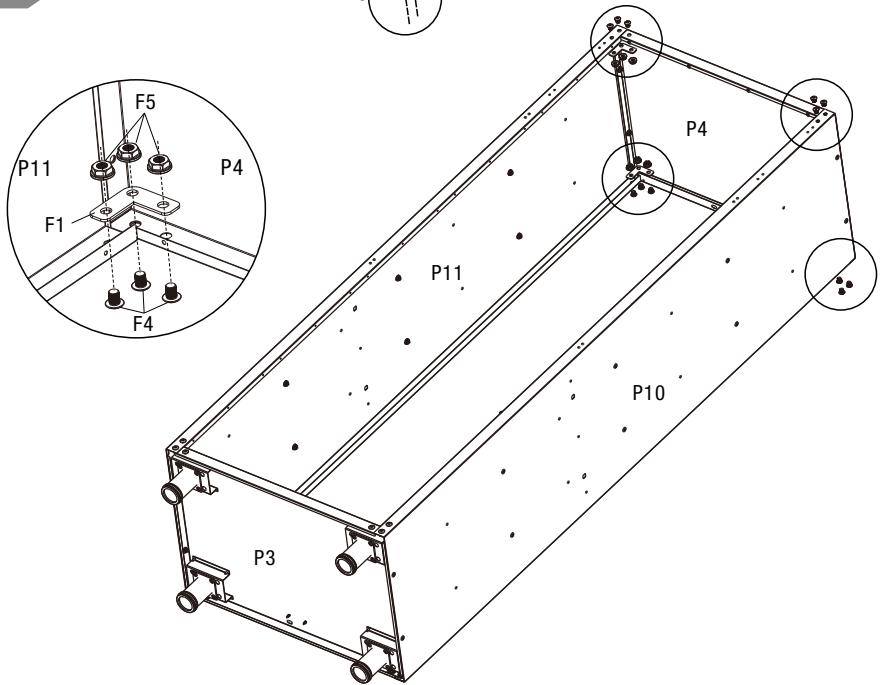
Step 2



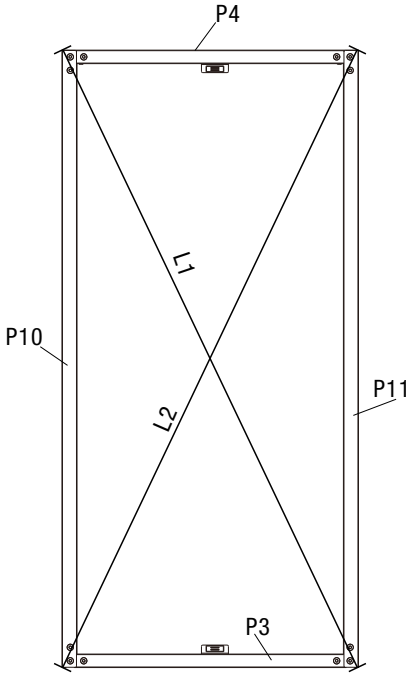
Step 3



Step 4



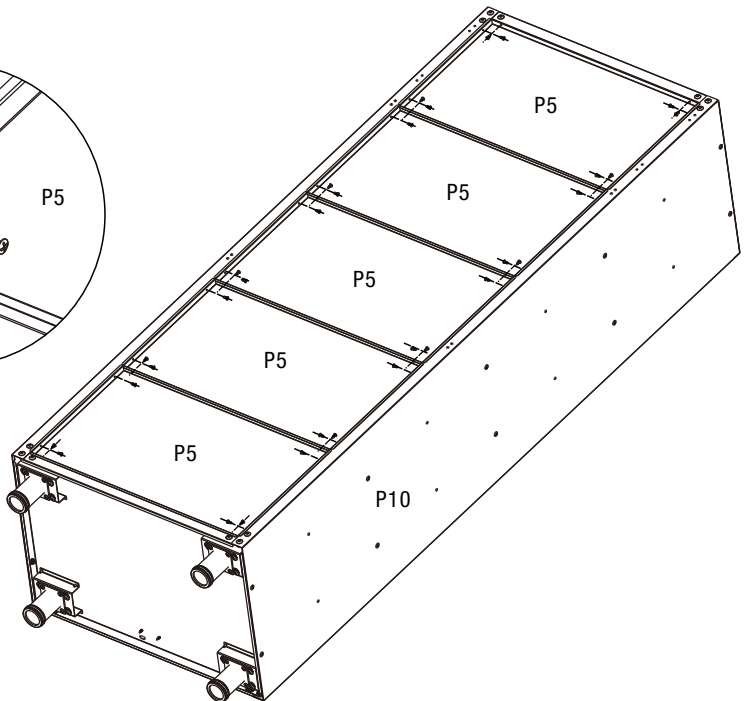
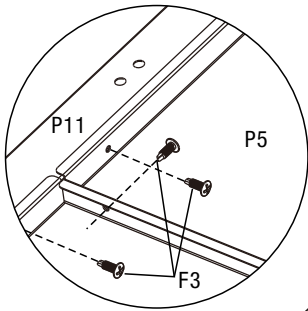
Step 5



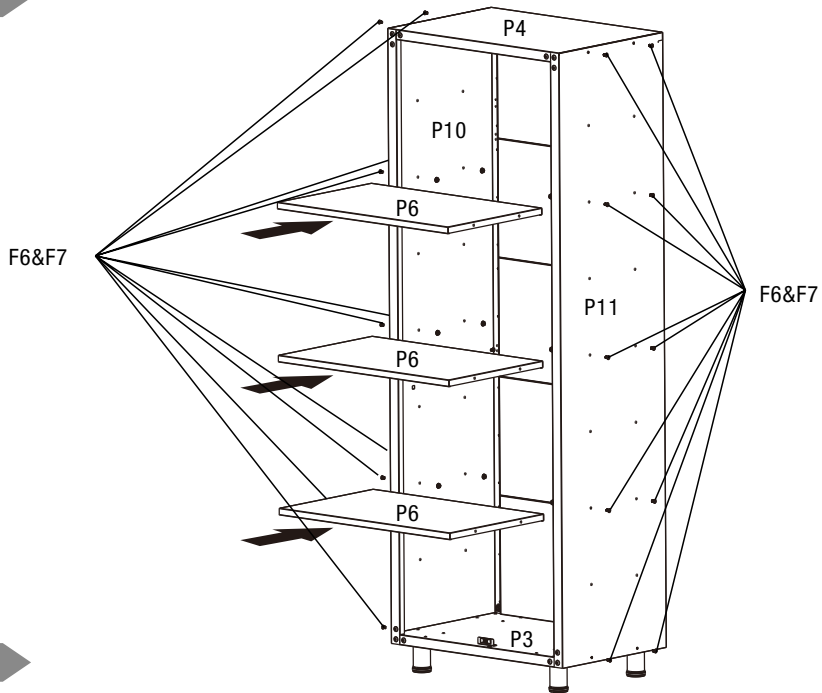
Length: $L1=L2$

Square the cabinet frame. Make sure the measurements from corner to corner should be equal distance before completely tighten the bolts.

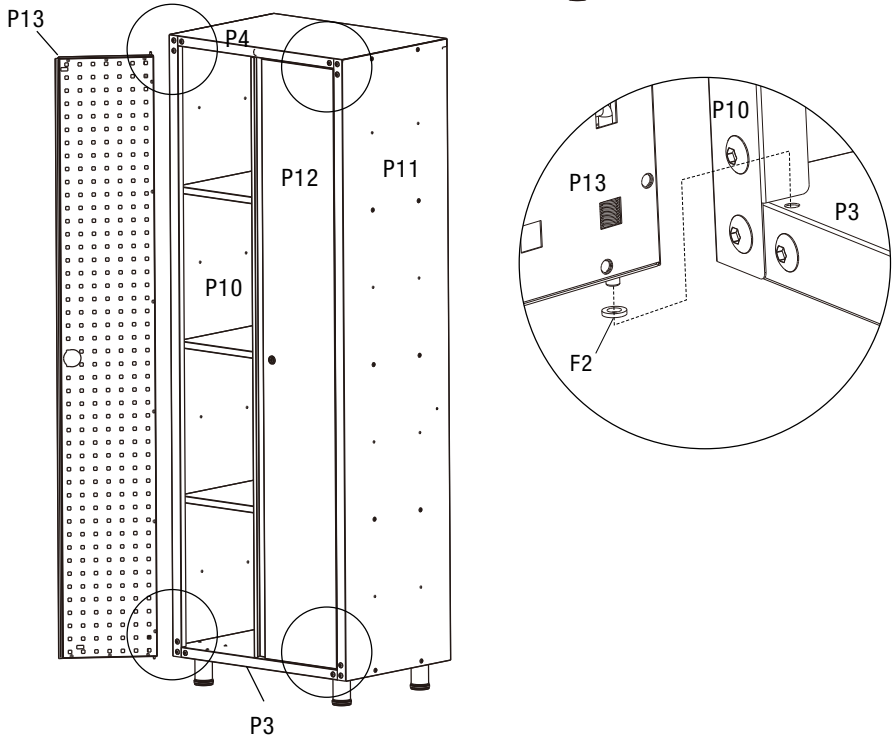
Step 6



Step 7



Step 8



Finish

