

# GARAGE TEK

The world's cleanest garage



## INSTALLATION INSTRUCTIONS

GT2010E  
HOBBY / SPORTS CENTER

### CARTON CONTENTS

ITEM	QUANTITY	DESCRIPTION
A	7	ROUND TUBE
B	1	HANGING BRACKET
C	2	SIDE W/ WIRE
D	2	SQUARE TUBING
E	1	CANVAS BAG
F	1	SHELF
G	8	HANGER HOOK
H	1	HOLDER BASE
I	1	STICK HOLDER
J	18	SCREWS, 1 1/2" LG.

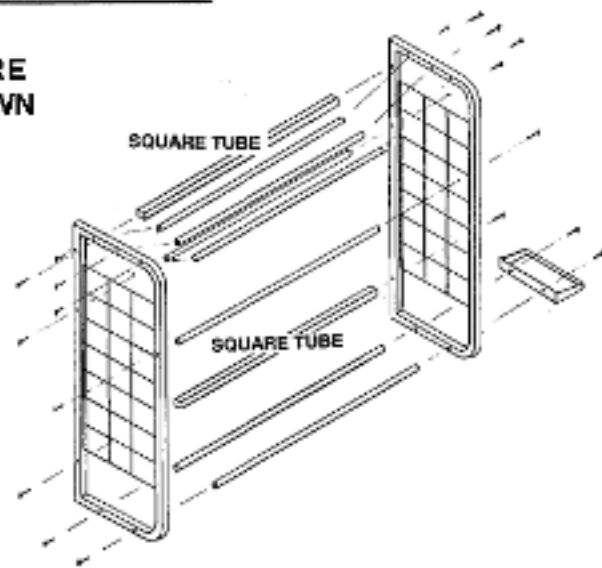
TOOLS REQUIRED - PHILLIPS SCREW DRIVER

**ASSEMBLY INSTRUCTIONS**  
**GT2010, HOBBY/ SPORTS CENTER**

**STEP #1: CHECK COMPONENTS / HARDWARE  
RECEIVED TO THE BILL OF MATERIAL SHOWN  
ON PAGE 1.**

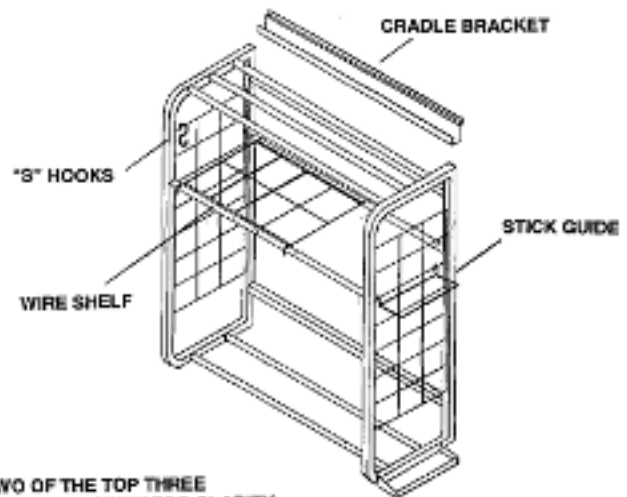
**STEP #2: USING THE SUPPLIED SCREWS,  
ASSEMBLE THE (7) ROUND TUBES AND  
THE (2) SQUARE TUBES AS SHOWN.**

**THE BOTTOM TRAY IS ALSO FASTENED  
ON THE LOWER RIGHT SIDE**



**STEP #3: POSITION THE LOOSE PARTS:  
(1) MIDDLE WIRE SHELF, (8) "S" HOOKS,  
AND (1) STICK GUIDE ON THE RACK.**

**THE PANEL CRADLE BRACKET CAN  
PLACED IN THE TEK PANEL.**



**STEP #4: POSITION AND SNAP THE  
YELLOW BAG OVER THE MIDDLE  
ROUND TUBES.**

**LIFT THE RACK AND PLACE THE TOP  
SQUARE TUBE IN THE WALLED MOUNTED  
PANEL CRADLE BRACKET.**

