



INSTALLATION ON CEILING POWERTRAK, PGS 8-10



INSTALLATION W/ HARDWARE SUPPLIED, PGS 2-7



PRODUCT AS REC'D

INSTALLATION INSTRUCTIONS

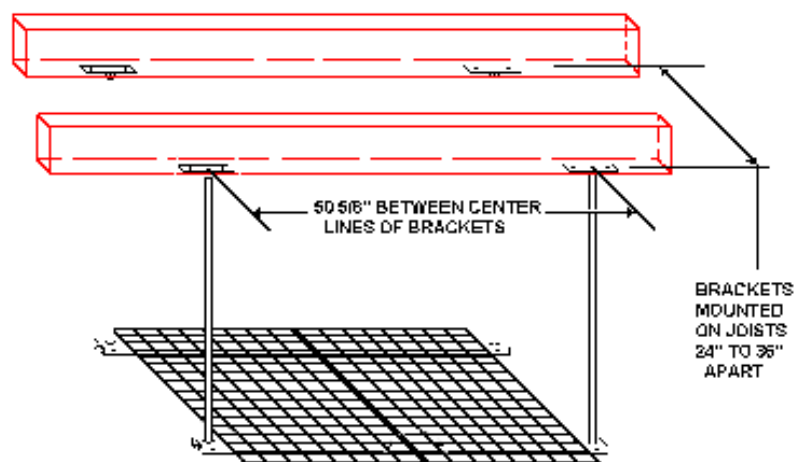
**GT7004E
OVERHEAD STORAGE RACK - 4 X 4 FT**

TOOLS REQUIRED

- PHILLIPS SCREW DRIVER & PLIERS
- DRILL W/ 1/8" & 3/16" BIT, A CORDLESS IMPACT DRIVER IS USEFUL, BUT NOT NECESSARY
- 7/16" & 1/2" SOCKET SET OR ADJUSTABLE CRESCENT WRENCH OR OPEN END WRENCH SET
- TAPE MEASURE & PENCIL
- STUD FINDER (OPTIONAL, IF INSTALLING ON CEILING DRYWALL)
- SAFETY GLASSES & LADDER
- HACKSAW OR GRINDER W/ CUTTING DISC (FOR LESS THAN A 24" DROP)

GUIDELINES TO CONSIDER BEFORE STARTING THE INSTALLATION

1. THE GT7004E, OVERHEAD STORAGE RACK IS DESIGNED FOR INSTALLATION INTO CEILING WOOD JOISTS, TGI'S OR FLOOR JOISTS. DO NOT INSTALL INTO METAL JOISTS OR CONCRETE CEILINGS.
2. THE INSTALLATION BRACKETS CAN BE INSTALLED DIRECTLY INTO THE JOISTS OR THROUGH DRYWALL INTO THE JOISTS. IF INSTALLING THROUGH DRYWALL, YOU WILL HAVE TO BE ABLE TO FIND / IDENTIFY THE JOIST CENTERLINES WITH EITHER A STUD FINDER OR USING A 1/8" DRILL.
3. PLAN YOUR INSTALLATION BY FOLLOWING THE DIAGRAM BELOW AND PLAN ON WHERE THE CEILING MOUNTING BRACKETS CAN BE LOCATED. THE MOST POPULAR INSTALLATION LOCATION IS ABOVE THE GARAGE DOOR(S).



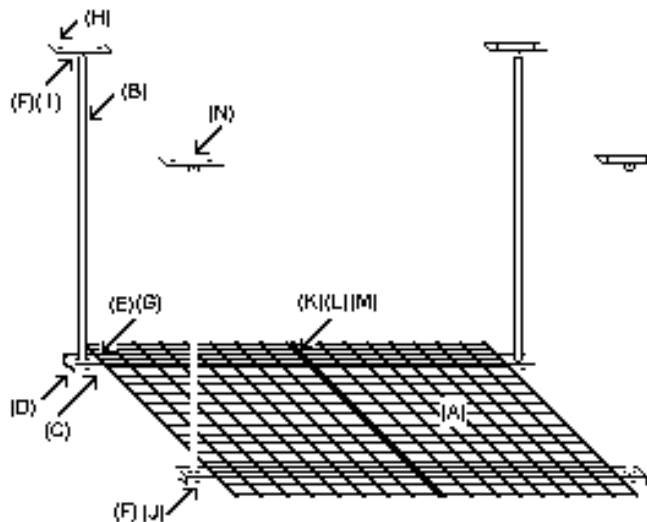
4. THE STANDARD DROP DISTANCE FROM THE CEILING IS 40". THERE ARE TWO OTHER PREDETERMINED DROP DISTANCES OF 30" AND 20". THE HANGING TUBES ARE PREDRILLED FOR THESE DISTANCES, BUT THEY WILL HAVE TO BE CUT.
5. THIS RACK CAN BE INSTALLED BY ONE PERSON. HOWEVER, AS WITH ANY PROJECT INVOLVING WORKING OVERHEAD, A SECOND PERSON CAN MAKE THE TASK SO MUCH EASIER AND FASTER TO COMPLETE.
6. THE INSTALLATION STEPS ARE SHOWN IN 2 FORMS BELOW – ONE AS A LINE DIAGRAM AND SECONDLY WITH PHOTOS.
7. WORK SAFELY AND IF YOU DOUBT THE STRUCTURAL INTEGRITY OF YOUR WORK, STOP AND GET EXPERT HELP.

ASSEMBLY INSTRUCTIONS
GT7004E - GARAGETEK OVERHEAD STORAGE RACK - 4 FT X 4 FT

(PARTS NOT TO SCALE)

PARTS LIST - OVERHEAD STORAGE RACK

A - WIRE SHELF GRID, 2FT X 4 FT	H - 1/4 X 3 LG, LAG BOLT
B - HANGER TUBE, 40"	I - 1/4-20 X 1 1/2 LG, HEX BOLT
C - SUPPORT CHANNEL	J - 1/4 X 2 LG, HEX BOLT
D - ACCENT STRIP, YELLOW OR WHITE	K - #8-32 X 1 LG, CARRIAGE BOLT
E - SHELF CLIP	L - 7/16 OD WASHER
F - 1/4-20 HEX NUT	M - #8-32 HEX NUT
G - #10-32 X 5/8 PPH SCREW	N - JOIST BRACKET



GT7004 - OVERHEAD STORAGE RACK ASSEMBLED

BEFORE STARTING THE INSTALLATION, CHECK THAT THE CARTON CONTENTS MATCH THE ABOVE BILL OF MATERIAL

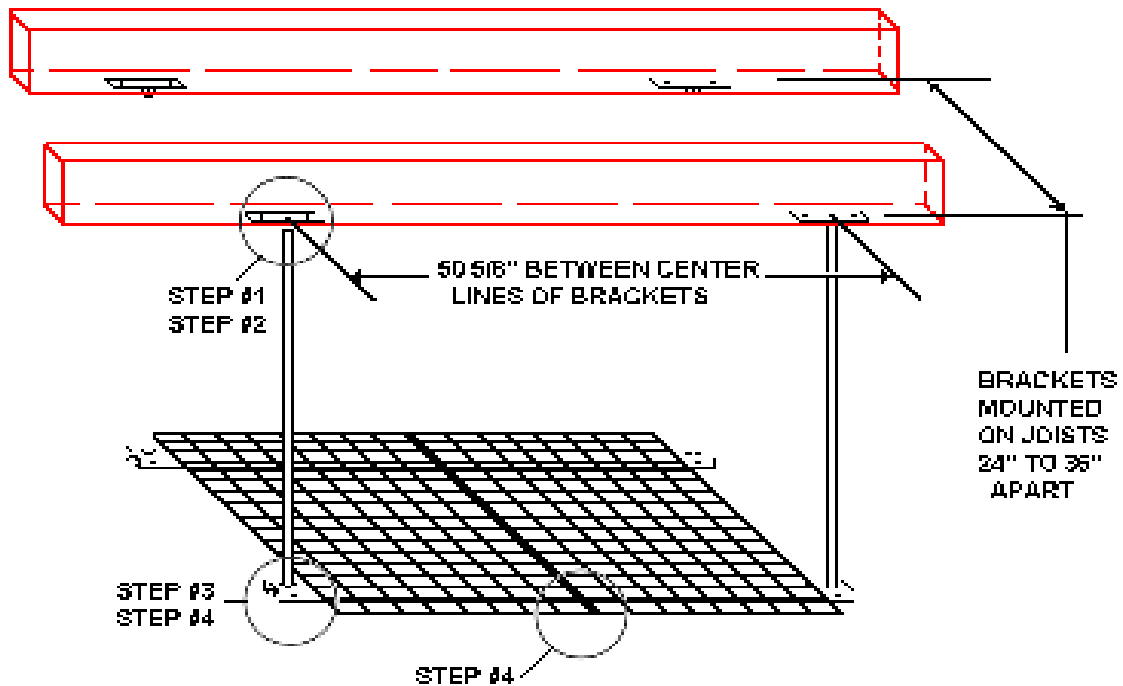
ITEM D, MAY BE YELLOW OR WHITE

RATED LOADING: 250 LBS., EVENLY SPREAD ON THE WIRE GRID (4 FT X 4 FT).

INSTALLATION PATTERN: MAXIMUM QUANTITY OF RACKS PER SET OF JOISTS IS TWO (2).

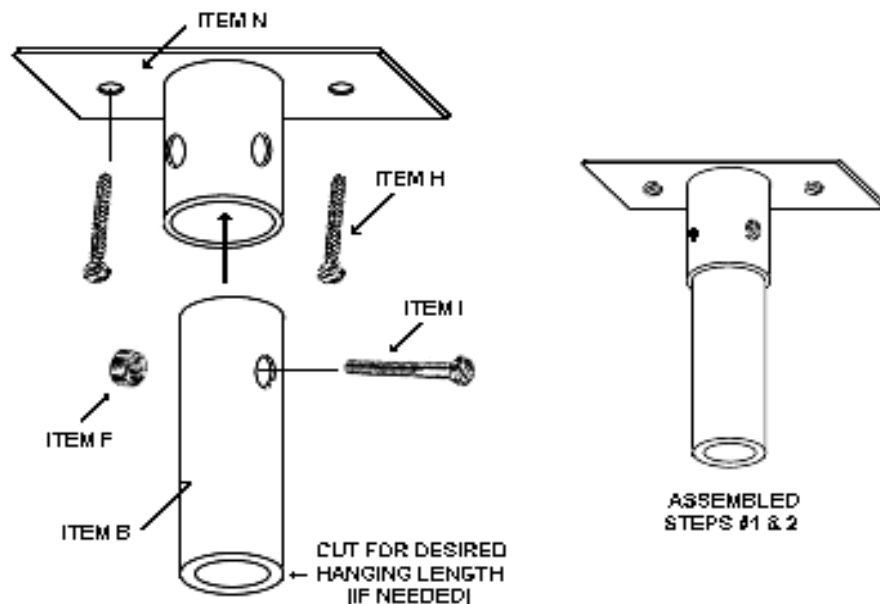
INSTALLATION PATTERN: ALWAYS INSTALL JOIST BRACKETS (ITEM N) IN THE DIRECTION OF THE JOISTS, NEVER AT RIGHT ANGLES TO THE BEAMS.

DIAGRAM INSTALLATION GUIDE



STEP #1: IF INSTALLING THROUGH DRYWALL, LOCATE AND MARK THE CEILING JOISTS USING EITHER A STUD FINDER OR THE 1/8" DRILL.

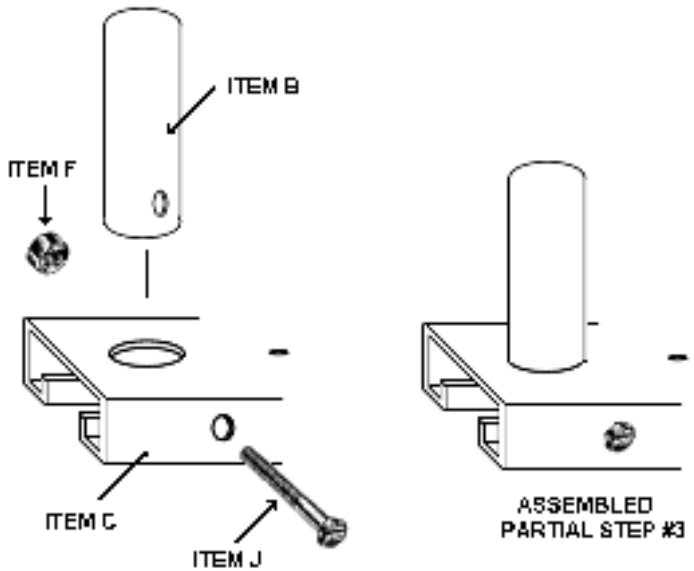
USE A JOIST BRACKET (ITEM N) AND MARK THE BRACKET CENTERLINES AND HOLE LOCATIONS PER THE ABOVE DIAGRAM. PRE-DRILL 3/16" HOLES IN THE JOISTS AND INSTALL THE BRACKETS USING THE 3" LAG BOLTS (ITEM H).



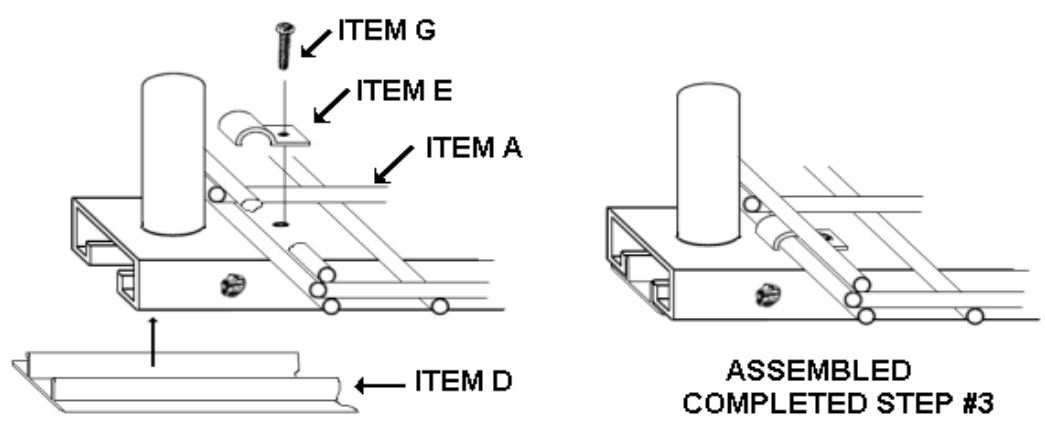
STEP #2: DETERMINE THE SHELF LEVEL DESIRED. CUT THE HANGER TUBES (ITEM B) TO LENGTH, IF NEEDED. (THE HANGER TUBES COME 40" LONG WITH 3 HEIGHTS OF MOUNTING HOLES PREDRILLED. I.e 40", 30", AND 20")

CONNECT THE JOIST BRACKETS AND HANGER RODS USING SCREWS/NUTS (ITEMS F & I).

STEP #3: CONNECT THE SUPPORT CHANNEL (ITEM C) TO THE HANGER RODS USING SCREWS/ NUTS (ITEMS F & J).



STEP #4: LAY THE WIRE SHELVES (ITEM A) ON THE SUPPORT CHANNELS AND FASTEN TO THE SUPPORT CHANNEL USING CLIPS & SCREWS (ITEMS E & G). SNAP THE ACCENT STRIPS (ITEM D) INTO THE SUPPORT CHANNELS.



STEP #5: CONNECT THE TWO SHELVES TOGETHER USING SCREWS/ NUTS/ WASHERS (ITEMS K, L, & M). INSTALLATION IS COMPLETE.

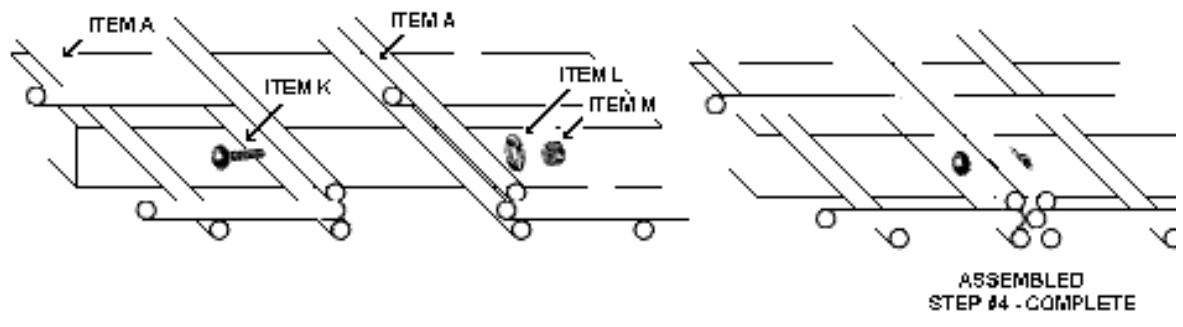


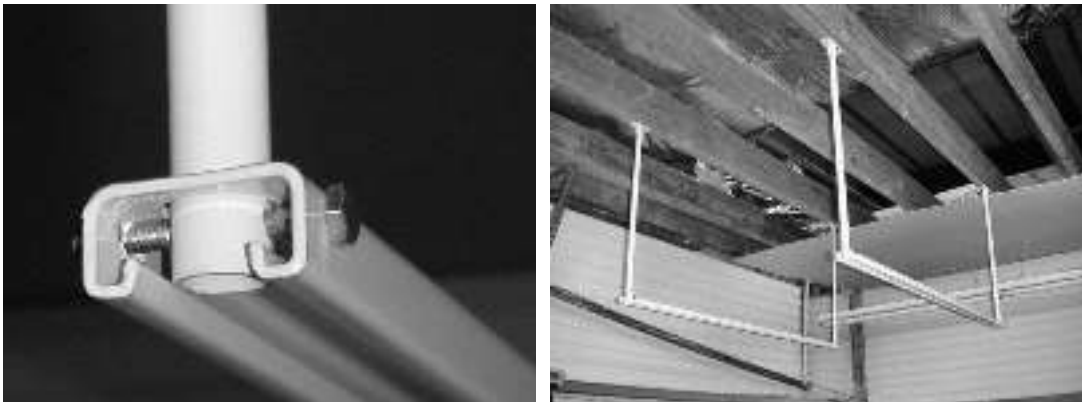
PHOTO INSTALLATION GUIDE



STEP #1



STEP #2



STEP #3

CON'T: PHOTO INSTALLATION GUIDE



STEP #4



STEP #5



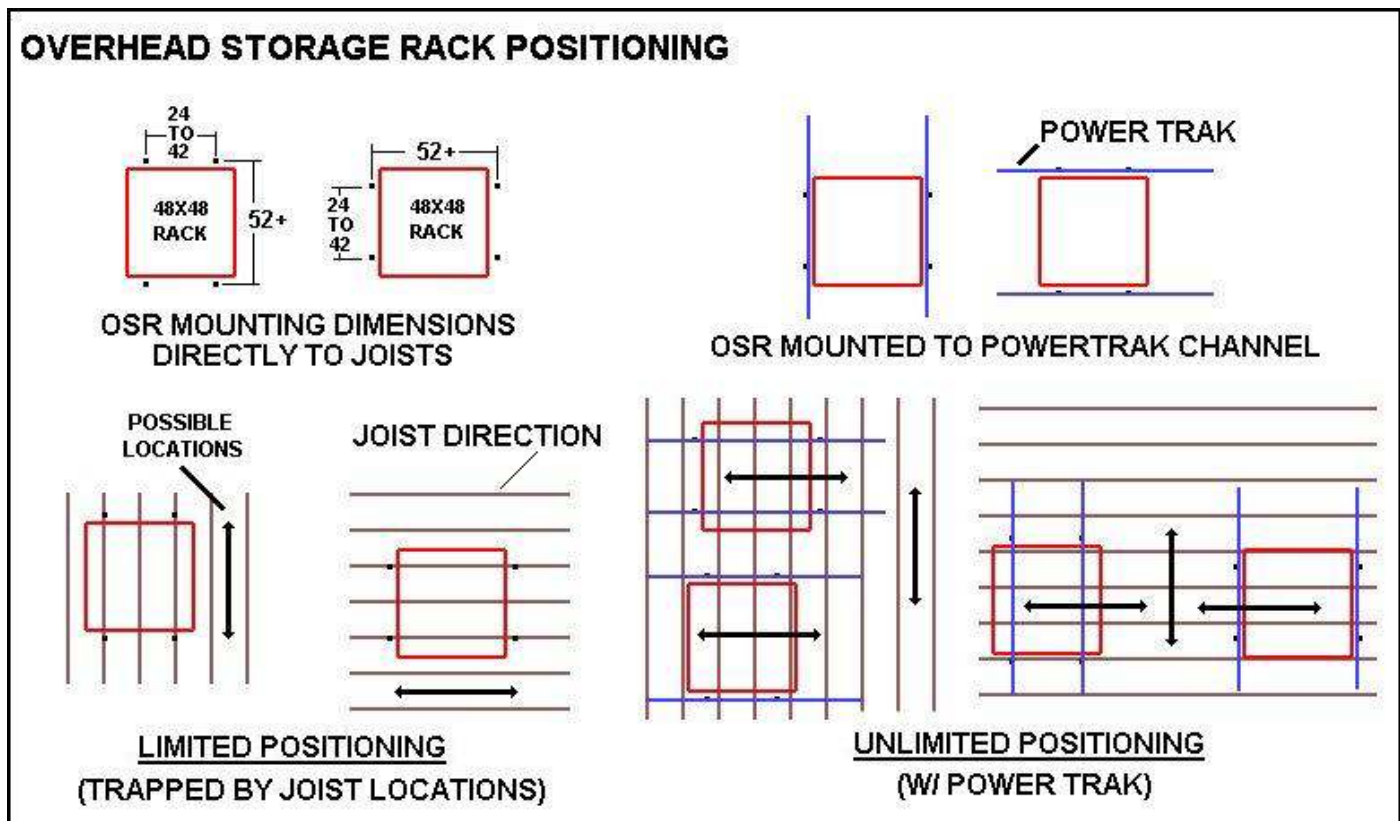
COMPLETE

INSTALLATION USING CEILING POWERTAK & ROUND CEILING CONNECTORS

AS SHOWN IN THE ABOVE INSTRUCTIONS, THE OVERHEAD STORAGE RACK (GT7004E) IS COMES SUPPLIED WITH QTY 4 – JOIST BRACKETS AND QTY 8 – 1/4 X 3 LG LAG BOLTS FOR INSTALLATION DIRECTLY TO THE CEILING JOISTS.

AN ALTERNATIVE INSTALLATION METHOD SHOWN BELOW WOULD BE TO USE THE CEILING POWERTRAK KIT (GT9150E-10) AND THE ROUND CEILING CONNECTORS – SET OF 4 (GT9154E). THESE ARE NOT SUPPLIED COMPONENTS WITH OVERHEAD STORAGE RACK AND NEED TO BE PURCHASED SEPARATELY.

THE MAJOR ADVANTAGE OF USING THE POWERTRAK IS THE OVERHEAD STORAGE RACKS CAN BE INSTALLED IN ANY CEILING LOCATION DESIRED VERSUS USING THE SUPPLIED JOIST BRACKETS, THE OVERHEAD STORAGE RACK CAN ONLY BE INSTALLED UNDER EXISTING JOIST LOCATIONS. SEE THE DIAGRAM BELOW.



FOLLOW EITHER THE “SHORT” OR “DETAILED” EXPLANATION INSTALLATION STEPS BELOW.

SHORT EXPLANATION OF INSTALLATION STEPS

STEP #1: MARK CEILING JOISTS LOCATIONS WHERE YOU WANT TO INSTALL THE RACK.

STEP #2: INSTALL TWO PIECES OF POWERTRAK 50 5/8” APART AT LOCATION YOU WANT RACK INSTALLED. INSTALL THE TRAK 90 DEGREES TO CEILING JOISTS AS SHOWN ABOVE.

STEP #3: INSTALL THE 4 ROUND CEILING CONNECTORS 24” TO 36” APART ON THE TRAK.

STEP#4: COMPLETE INSTALLATION OF THE RACK PER PAGES 4 & 5 ABOVE.

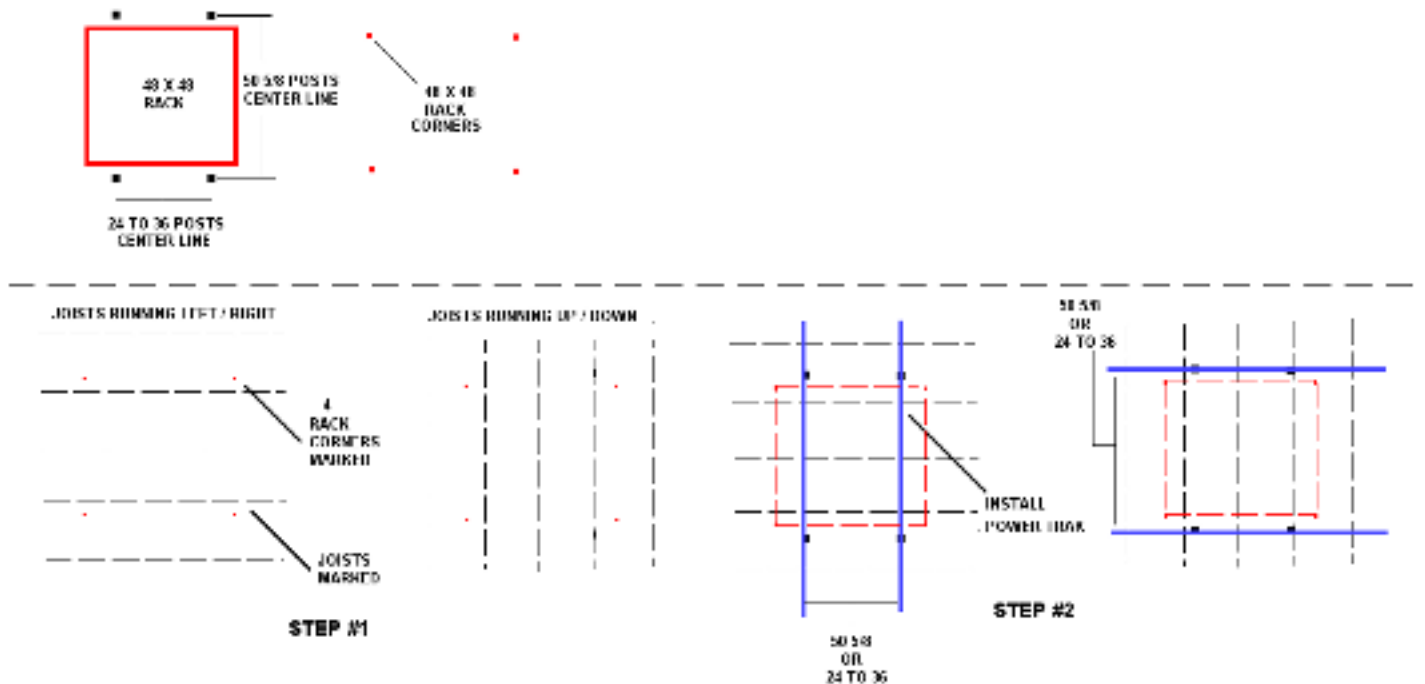
DETAILED EXPLANATION OF INSTALLATION STEPS

STEP #1: MARK ON THE CEILING THE 4 CORNERS WHERE YOU DESIRE TO LOCATE THE OVERHEAD STORAGE RACK.

**MARK ON THE CEILING THE CENTER LINE OF THE CEILING JOISTS.
(THE MARKS ARE EXAGGERATED FOR CLARITY ON THE DIAGRAM.
USE LITE PENCIL MARKS THAT CAN BE ERASED OR PAINTED OVER.)**

STEP #2: THE POWERTRAK IS ALWAYS INSTALLED 90 DEGREES TO THE CEILING JOISTS. MARK A LINE FOR THE POWERTRAK LOCATION EITHER 50 5/8" OR 24" TO 36" APART AS SHOWN BELOW.

THE DIAGRAMS BELOW SHOWS THE MARKINGS & TRAK INSTALLATION BASED ON THE DIRECTION OF THE CEILING JOISTS.



STEP #3: INSTALL THE POWERTRAK. REFERENCE DETAILED INSTRUCTIONS SUPPLIED W/ GT9150E



STEP #4: AT EITHER THE PREVIOUSLY CHOSEN 50 5/8" OR 24" TO 36" LOCATIONS, INSTALL THE ROUND CEILING CONNECTORS.

STEP #5: COMPLETE THE INSTALLATION OF THE RACK FOLLOWING STEPS #2 THRU #5 (ON THE PREVIOUS PAGES 4 & 5).

