



INSTALLATION INSTRUCTIONS

**GT7008E
HEAVY DUTY OVERHEAD STORAGE RACK – 4 X 4 FT**

TOOLS REQUIRED

HAMMER

**DRILL W/ 1/8" BIT, A CORDLESS IMPACT DRIVER IS USEFUL, BUT NOT NECESSARY
SOCKET SET, ADJUSTABLE CRESCENT WRENCH OR OPEN END WRENCH SET**

TAPE MEASURE & PENCIL

STUD FINDER

(OPTIONAL, IF INSTALLING THRU CEILING DRYWALL)

SAFETY GLASSES & LADDER

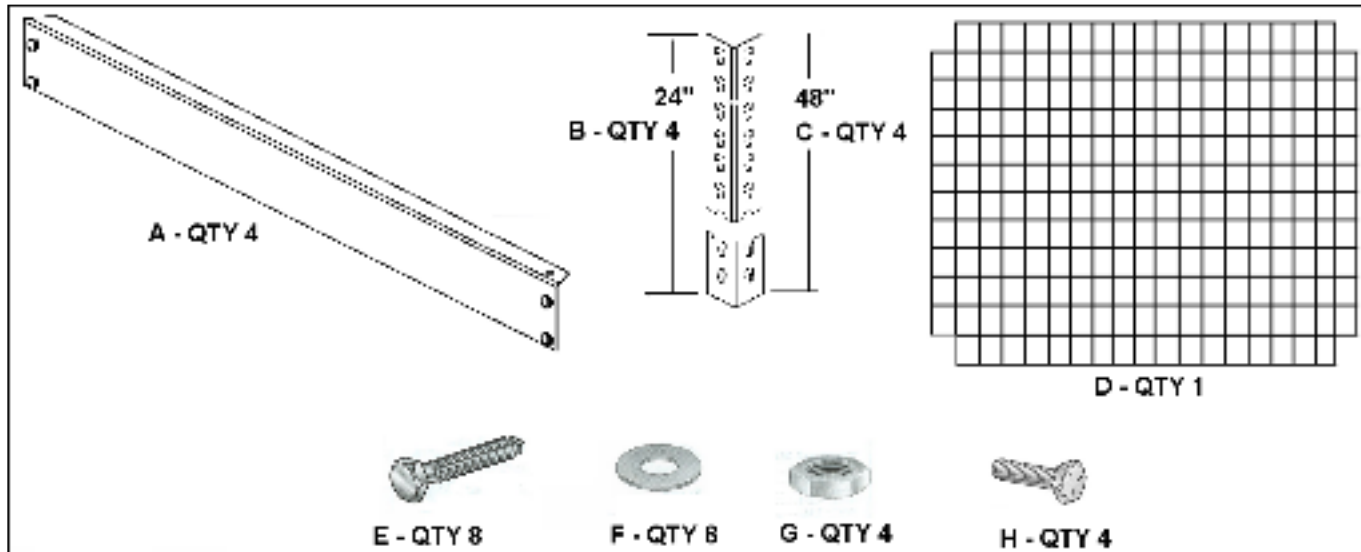
HACKSAW OR GRINDER W/ CUTTING DISC (WHEN INSTALLING LESS THAN THE SUPPLIED 48" DROP)

GUIDELINES TO CONSIDER BEFORE STARTING THE INSTALLATION

- 1. THE GT7004E, OVERHEAD STORAGE RACK IS DESIGNED FOR INSTALLATION INTO CEILING WOOD JOISTS, TGI'S OR FLOOR JOISTS. DO NOT INSTALL INTO METAL JOISTS OR CONCRETE CEILINGS.**
- 2. THE INSTALLATION BRACKETS CAN BE INSTALLED DIRECTLY INTO THE JOISTS OR THROUGH DRYWALL INTO THE JOISTS. IF INSTALLING THROUGH DRYWALL, YOU WILL HAVE TO BE ABLE TO FIND / IDENTIFY THE JOIST CENTERLINES WITH EITHER A STUD FINDER OR USING A 1/8" DRILL OR SMALL NAIL.**
- 3. THE SUPPLIED DROP DISTANCE FROM THE CEILING IS 48" WITH THE UPRIGHTS. THESE UPRIGHTS CAN BE CUT WITH A JIG SAW WITH A METAL BLADE, A HACKSAW OR A HAND GRINDER WITH CUTTING DISC. CUT IN 1 1/2" INCREMENTS ONLY.**
- 4. THIS RACK CAN BE INSTALLED BY ONE PERSON. HOWEVER, AS WITH ANY PROJECT INVOLVING WORKING OVERHEAD, A SECOND PERSON CAN MAKE THE TASK SO MUCH EASIER AND FASTER TO COMPLETE.**
- 5. WORK SAFELY AND IF YOU DOUBT THE STRUCTURAL INTEGRITY OF YOUR WORK, STOP AND GET EXPERT HELP.**

ASSEMBLY INSTRUCTIONS

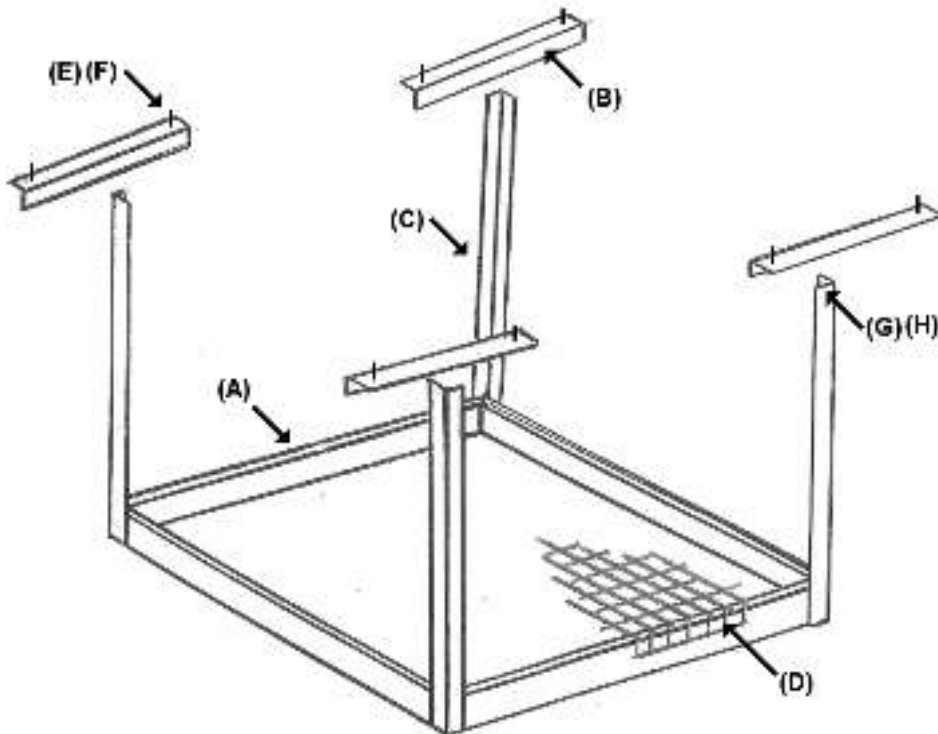
GT7008E - HEAVY DUTY OVERHEAD STORAGE RACK - 4 FT X 4 FT



PARTS LIST - HD OVERHEAD STORAGE RACK, GT7008E

- | | |
|--|-----------------------|
| A - DOUBLE RIVET BEAM, 4FT LG | E - LAG BOLT 3" LG |
| B - CEILING MOUNTING TRACK, 24" LG | F - WASHER, 7/8" DIA |
| C - UPRIGHTS, 48" LG | G - NUT, 3/8" THREAD |
| D - DECK SHELF W/ WATERFALL SIDES, 48" X 48" | H - BOLT, 3/8" THREAD |

BEFORE STARTING THE INSTALLATION, PLEASE CHECK THAT THE CARTON CONTENTS MATCH THE ABOVE BILL OF MATERIAL.



GT7008E - HEAVY DUTY OVERHEAD STORAGE RACK
(EXPLODED ASSEMBLY VIEW)

ASSEMBLY INSTRUCTIONS

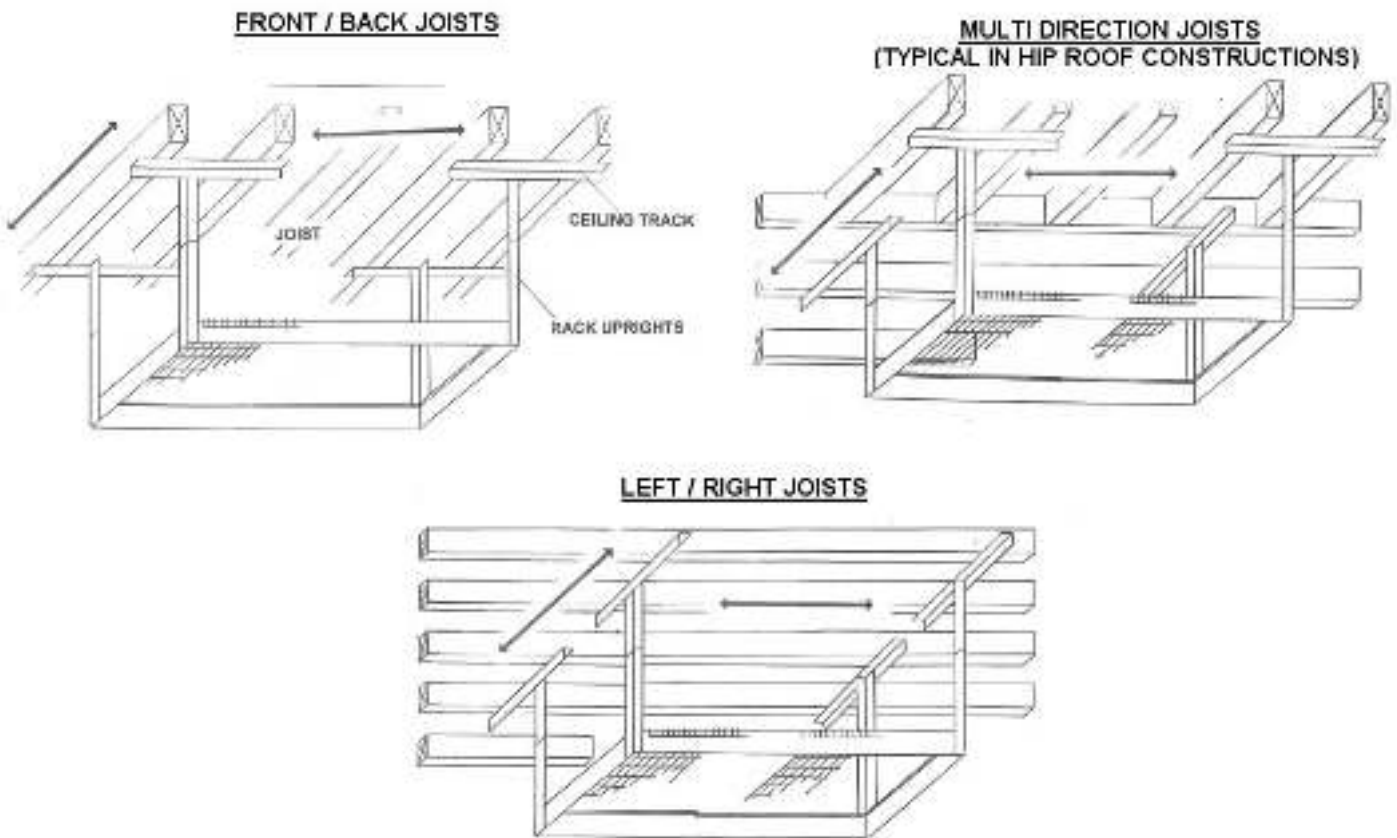
GT7008E – HEAVY DUTY OVERHEAD STORAGE RACK - 4 FT X 4 FT

INSTALLATION CONSIDERATIONS

1. THE GT7008E CAN BE MOUNTED IN ANY LOCATION ON THE GARAGE CEILING AS SHOWN IN THE FOLLOWING DIAGRAMS AND REASONS GIVEN BELOW:

- A. THE RACK UPRIGHTS (ITEMS C) CAN BE ATTACHED TO THE CEILING TRACKS (ITEMS B) IN BOTH 90 DEGREE ORIENTATIONS.
- B. THE CEILING TRACKS ARE 24" LONG AND ARE INTENDED TO SPAN BETWEEN 2 JOISTS. SPANNING 2 JOISTS INSURES AN EXTRA MARGIN OF SAFETY IN CARRYING THE LOAD.

2. THE RACK'S DEPTH FROM THE CEILING IS ADJUSTABLE FROM 48" TO SOMETHING SHORTER BY CUTTING THE UPRIGHTS. (ALWAYS CUT IN 1 1/2" INCREMENTS)



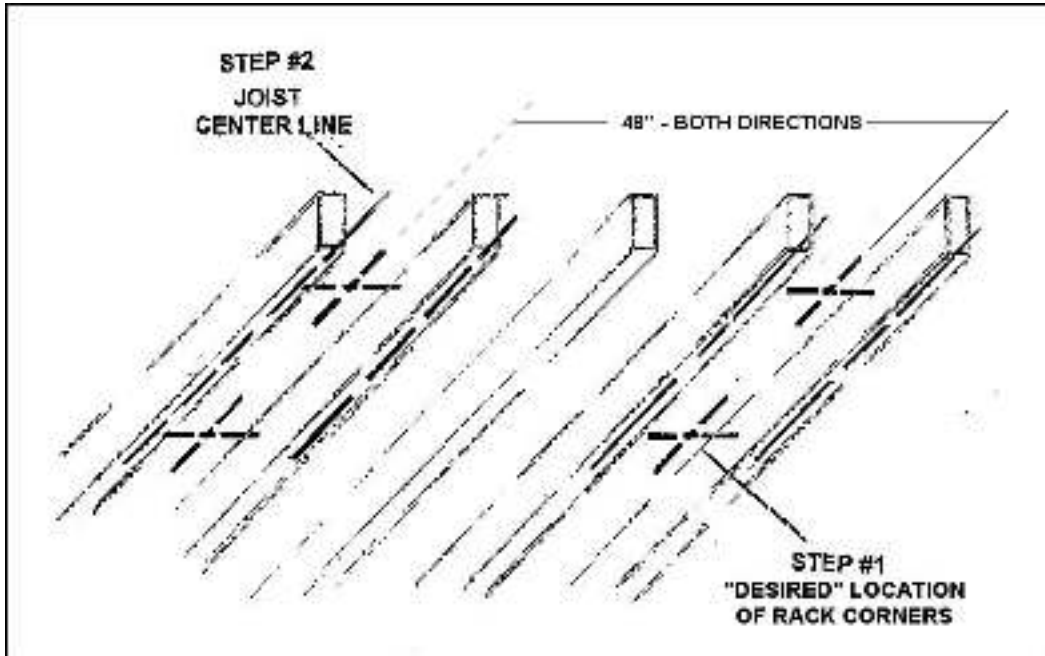
ASSEMBLY INSTRUCTIONS

GT7008E – HEAVY DUTY OVERHEAD STORAGE RACK - 4 FT X 4 FT

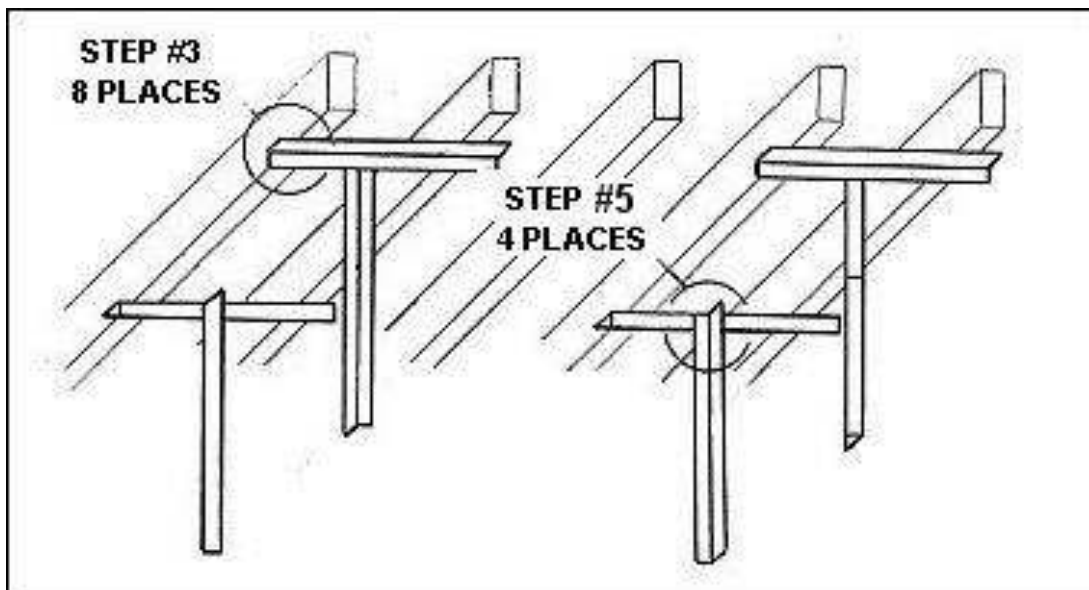
INSTALLATIONS STEPS

1 – MARK THE DESIRED LOCATION OF THE RACK CORNERS ON THE CEILING.

2 – IF MOUNTING THROUGH DRYWALL, LOCATE AND MARK THE CENTER LINE OF THE JOISTS. AN ELECTRONIC STUD FINDER MAKES THIS VERY EASY AND LOCATES BOTH THE JOIST EDGES AND CENTERLINE. THE “OTHER” METHOD OF FINDING THE JOISTS IS TO USE A SMALL BRAD NAIL AND HAMMER IT THROUGH THE DRYWALL AND MARKING THE JOIST LOCATIONS.



3 – MOUNT THE CEILING TRACKS, QTY 4 – ITEM B, AT THE DESIRED RACK CORNERS SO EACH TRACK SPANS 2 JOISTS. USE THE 3" LAG SCREWS AND WASHERS, QTY 8 EA – ITEMS E & F). PREDRILL THE LAG BOLT HOLES WITH A 1/8" DIA DRILL. PREDRILLING MAKES THE INSTALLATION SO MUCH EASIER WHEN YOU ARE WORKING OVERHEAD.



ASSEMBLY INSTRUCTIONS

GT7008E – HEAVY DUTY OVERHEAD STORAGE RACK - 4 FT X 4 FT



4 – IF REQUIRED (OR DESIRED) A SHORTER SPACE BETWEEN THE RACK AND THE CEILING, CUT THE 48” RACK UPRIGHTS, QTY 4 – ITEM C). AN EXAMPLE OF THIS MIGHT BE THE SPACE BETWEEN THE CEILING AND THE GARAGE DOOR WHEN OPEN IS 40”. YOU WOULD THEN NEED TO SHORTEN THE UPRIGHTS TO LESS THAN 40”.

5 – CONNECT THE UPRIGHTS (ITEM C) TO THE CEILING TRACKS (ITEM B) AT THE RACK CORNER LOCATIONS AT THE 48” X 48” SPACING. USE THE SUPPLIED NUT AND BOLTS, QTY 4 EA – ITEMS G & H) AS SHOWN.

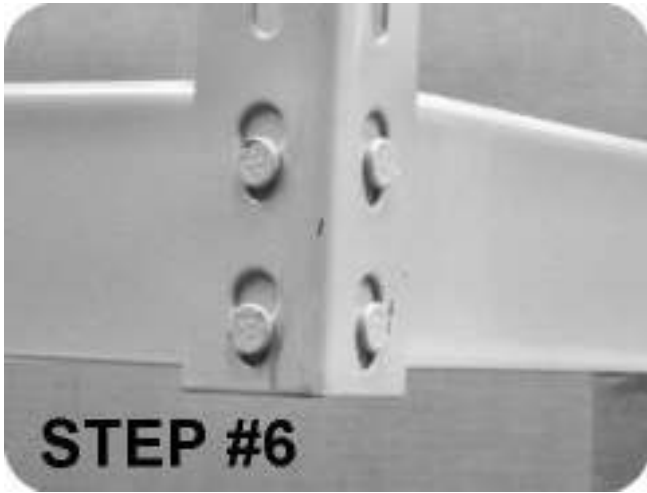
IMAGES OF STEPS #6 AND #7 ON THE FOLLOWING PAGE.

6 – CONNECT THE DOUBLE RIVET BEAMS, QTY 4 – ITEM A) AT THE CORNERS OF THE RACK UPRIGHTS. NO HARDWARE IS REQUIRED, USE A Mallet / HAMMER AND POUND THE RIVET BEAMS INTO PLACE AND BOTTOMING THE RIVETS IN THE KEYHOLE SLOTS.

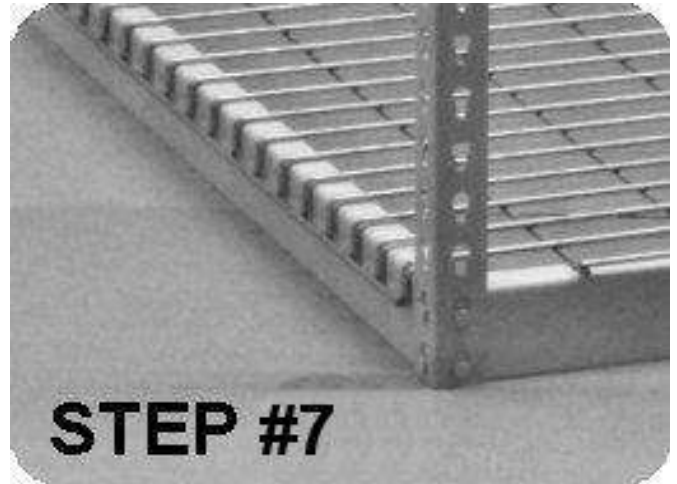
7 – PLACE THE SHELF ON THE RACK AS SHOWN. NO HARDWARE IS REQUIRED. THE “WATERFALL” SIDES OF THE SHELF LOCKS THE SHELF IN PLACE AND PREVENTS IT FROM MOVING.

ASSEMBLY INSTRUCTIONS

GT7008E – HEAVY DUTY OVERHEAD STORAGE RACK - 4 FT X 4 FT



STEP #6



STEP #7



STEP #6 DETAILED



THE INSTALLATION IS COMPLETE. GOOD LUCK.